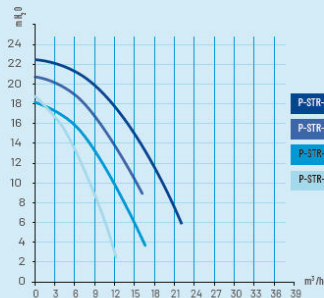


# LA STA-RITE

## SINGLE SPEED PUMPS

The Industry standard and classic from Pentair for compact pools.



### FEATURES

- Stainless steel locking clamp
- Removable pre filter
- XL pre filter basket
- High head impellers

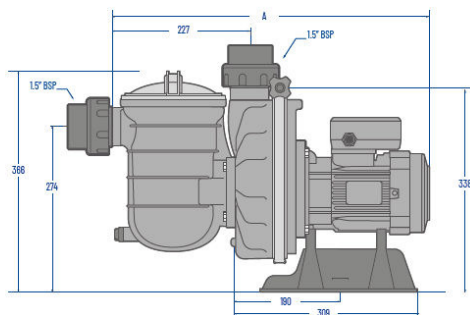
### BENEFITS

- Quick maintenance and upgradability into variable speed pump
- Possibility to transform the pump into booster pump
- Longer periods between cleaning
- Ideal for applications where control room is far from pool

### TECHNICAL FEATURES

- 100% Made by Pentair in our Pisa, Italy plant
- Induction asynchronous motor
- Bi-material shaft with Stainless Steel AISI 304 drive-end
- SKF sealed bearings
- Thermal protection (single phase), IE2 compliant (tri-phase <0.75kW), IE3 compliant (tri-phase >0.75kW)
- IP-X5
- Stainless steel inserts - improved resistance to corrosion
- Inlet/Outlet → 1.5" BSP
- Ø Unions → 50 mm Int.
- Unions included → Yes
- Salt resistancy → 0.40%

Part Number	Flow	Power output		Volt (V)	Phase	Length (A) (mm)	Weight (Kg)
	m³/h @ 8 m	(kW)	(HP)				
P-STR-051	8	0.37	0.5	220-240	Mono	514	14.1
P-STR-053	8	0.37	0.5	380-420	Tri	514	13.9
P-STR-071	12	0.55	0.75	220-240	Mono	514	14.1
P-STR-073	12	0.55	0.75	380-420	Tri	514	14
P-STR-101	16	0.75	1	220-240	Mono	514	15.8
P-STR-103E3	16	0.75	1	380-420	Tri	514	25
P-STR-151	20	1.1	1.5	220-240	Mono	544	17
P-STR-153E3	20	1.1	1.5	380-420	Tri	544	26



Packaging	Length (mm)	Width (mm)	Height (mm)	Pce/Palet
Box	64	32	36	-
Palet	120	100	150	18